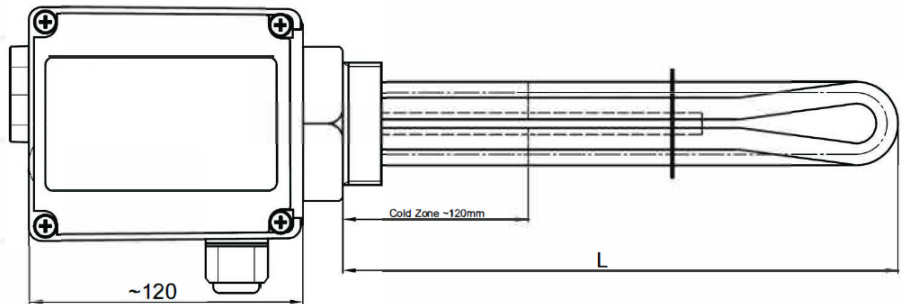


## Screw-in Immersion Heaters - Isolated Version



Immersion Heater with integrated Isolation for direct water heating, especially useful in enameled tank. It consists of three "U" shaped tubular heating element and a sensor protection tube mounted in a screw head G 1 1/2". The Heater is with a plastic housing, in which a temperature control (30-75°) with a limiter (98°C) and indicator lamp is provided. The isolated construction of the tubular heater protects enamelled tank against corrosion.



### Specification

Type	Power	Voltage	Immersion Length [L]	Surface Load
WPI - 2,5	2500W	230/400V*	370mm	~6,2W/cm
WPI - 3 0	3000W	230/400V*	390mm	~6,7W/cm
WPI - 4,5	4500W	400V	470mm	~8,0W/cm
WPI - 6,0	6000W	400V	560mm	~8,4W/cm
WPI - 7,5	7500W	400V	650mm	~8,7W/cm
WPI - 9,0	9000W	400V	720mm	~9,3W/cm

\* possible to connect 230V

Application: enamelled tanks  
 Working pressure: max. 10Bars  
 Protection cover: IP54  
 Temperature regulation: 30...75°C, STB 98°C, other  
 Power lamp: red, built-in

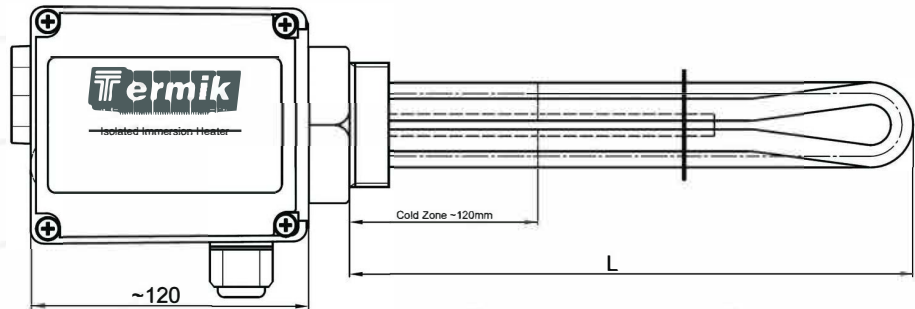


Date: June 2023

# Screw-in Immersion Heaters - Isolated Version



Immersion Heater with integrated Isolation for direct water heating, especially useful in enameled tank. It consists of three "U" shaped tubular heating element and a sensor protection tube mounted in a screw head G 1 1/2". The Heater is with a plastic housing, in which a temperature control (30-75°) with a limiter (98°C) and indicator lamp is provided. The isolated construction of the tubular heater protects enamelled tank against corrosion.



## Specification

Type	Power	Voltage	Immersion Length [L]	Surface Load
WPI - 2,5	2500W	230/400V*	370mm	~6,2W/cm
WPI - 3,0	3000W	230/400V*	390mm	~6,7W/cm
WPI - 4,5	4500W	400V	470mm	~8,0W/cm
WPI - 6,0	6000W	400V	560mm	~8,4W/cm
WPI - 7,5	7500W	400V	650mm	~8,7W/cm
WPI - 9,0	9000W	400V	720mm	~9,3W/cm

\* possible to connect 230V

Application: enamelled tanks  
 Working pressure: max. 10Bars  
 Protection cover: IP54  
 Temperature regulation: 30...75°C, STB 98°C, other  
 Power lamp: red, built-in

■ Protection Cover ABS V-0 IP54

■ Brass Head G 6/4" SW60



■ Sheath material  
 Incoloy 825

■ Built-in thermostat with  
 additional STB limiter



■ Power lamp