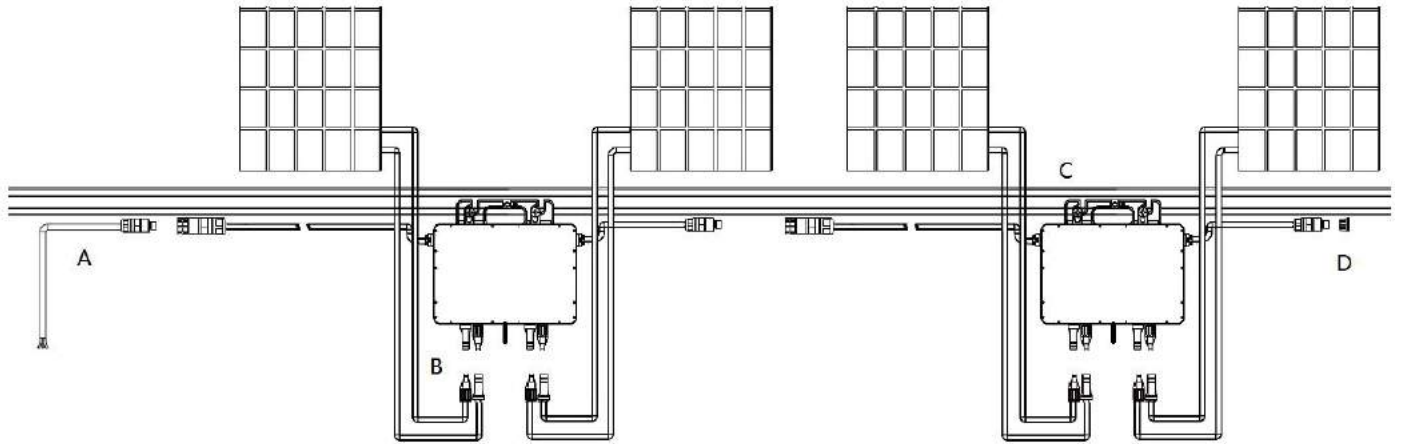


Quick Install Guide

Herf 600 Micro-Inverter

Quick Installation Guide

Accessories.



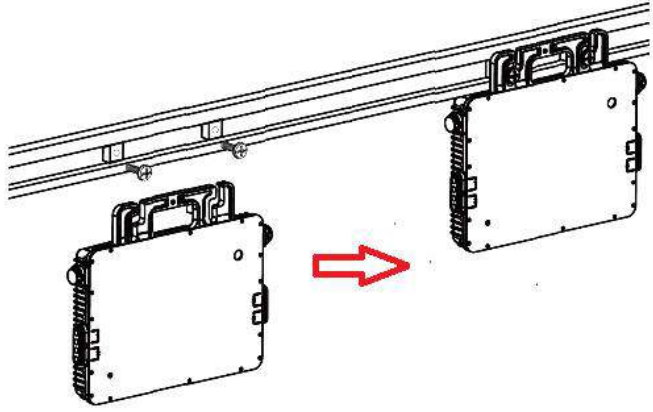
Object	Description
A	AC End Cable (Male), 2m 12AWG Cable
B	DC Extension Cable, 1m
C	M8*25 screws
D	AC Female End Cap, IP68

*Note: All accessories listed above are not included in the package, and need to be purchased separately. Please contact our sales representative for pricing information. (M8 screws need to be prepared by installer-self.)

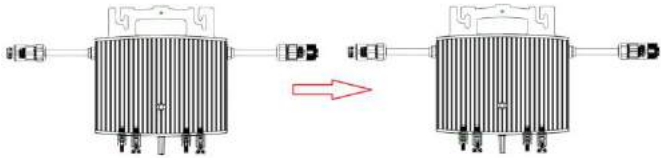
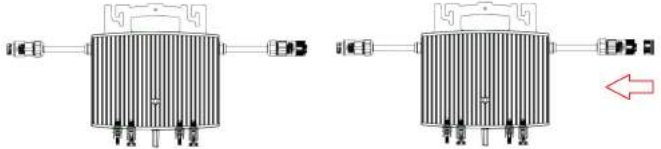
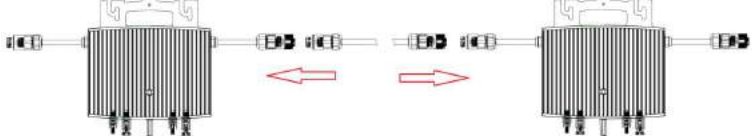
Installation Steps

Note: Make sure that the micro inverter is installed in the required environment (see the Product User Manual for more details).

Step 1. Attach Microinverter on Rail.


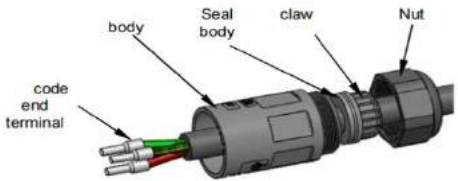
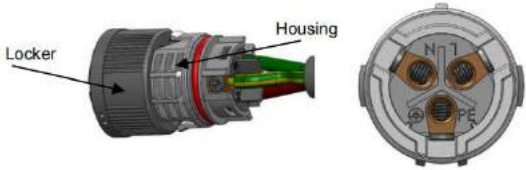


<p>a). Mark the approximate center of each panel on the frame.</p>	
<p>b). Fix the screw on the rail.</p>	
<p>c). Hang the microinverter on the screw (as shown in the picture below), and tighten the screw. The balck cover side of the microinverter should be facing the panel.</p>	

Step 2. Connect AC Cables of Microinverter

<p>a). Plug the AC connector of the first microinverter into the connector of the second microinverter to form a continuous AC branch circuit.</p>	
<p>b). Install the AC end cap on the AC connector of the last micro inverter in the AC branch circuit</p>	
<p>c). *Note: The length of AC cable on microinverter is roughly 2 m, if the distance between two microinverters is more than 2m, please use an AC extension cable between two microinverters (As shown in the picture below).</p>	


Step 3. Connect AC End Cable

A) Installation of cable end connector.

<p>Solid wrench No.30 or monkey wrench wide than 3cm 、 Cross screwdriver No.1、 Wire striper.</p>	
<p>a). Disassemble the connector and thread the cable through the waterproof cap and connector housing</p>	
<p>b).Connect the cable to the terminal, and the screw torque is $0.8 \pm 0.1 \text{ N} \cdot \text{m}$</p>	
<p>c). Push Housing into Body</p>	
<p>d). Insert Seal and Clamp Finger into body, then tighten the nut, torque $2.5 \pm 0.5 \text{ N} \cdot \text{m}$</p>	
<p>e). Installation of cable end male connector is the same as female connector</p>	


Note: An electrical test should be done, to ensure that the connector has been installed correctly.

B) Connect the AC end cable with the AC branch circuit

<p>a).Mating male and female connector: Push the plug into the socket completely, then rotate the locker according to the direction instructed by the marks on the locker</p>	
-------------------------------------------------------------------------------------------------------------------------------------------------------------------------------	--------------------------------------------------------------------------------------

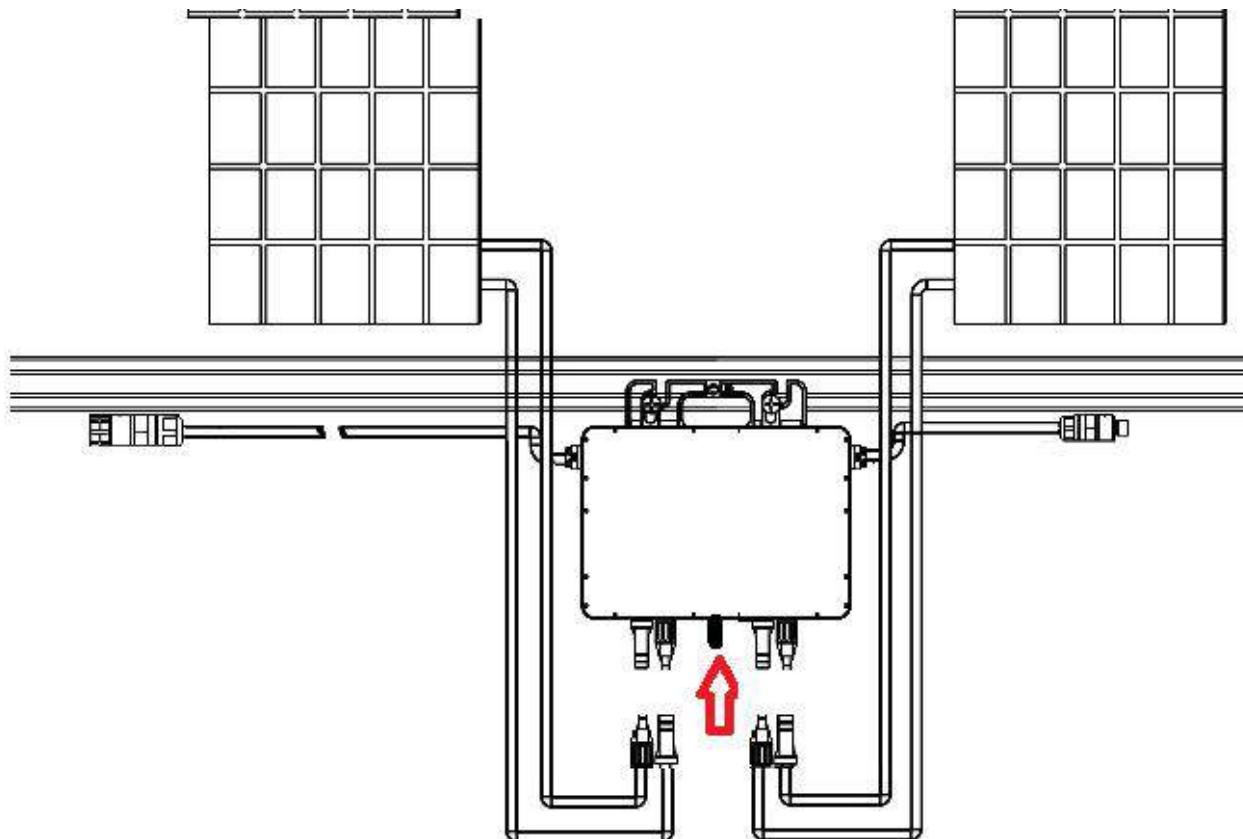
Step 4. Create an Installation Map

A) Affix the serial number label to the respective location on the installation map.

HERF		Microinverter Installation Map										V1.0				
Please Make N for North 		Panel Type: Azimuth: Tilt: Sheet ___ of ___:						Customer Information:					DCU Serial Number:			
	1	2	3	4	5	6	7	8	9	10	1	12	13	14	15	16
A																
B																
C																
D																
E																
F																

Step 5. Connect PV Modules

- A) Mount the PV modules above the microinverter.
- B) Connect the PV modules' DC cables to the DC input side of the microinverter.



Step 6. Energize the System

- A) Turn on the AC breaker of the branch circuit.
- B) Turn on the main AC breaker of the house. Your system will start to generate power after about two minutes of waiting time.

Step 7. Set Up the Monitoring System

Refer to the DCU User Manual or DCU Quick Installation Guide, and Quick Installation Guide for HERF Monitoring Platform Online Registration to install the DCU and set up your monitoring system.

Westech-Solar Energy GmbH

Robert-Bosch-Str. 11,

85748 Garching

info@westech-energy.com,

www.westech-energy.com

+49 (0) 89-89545770